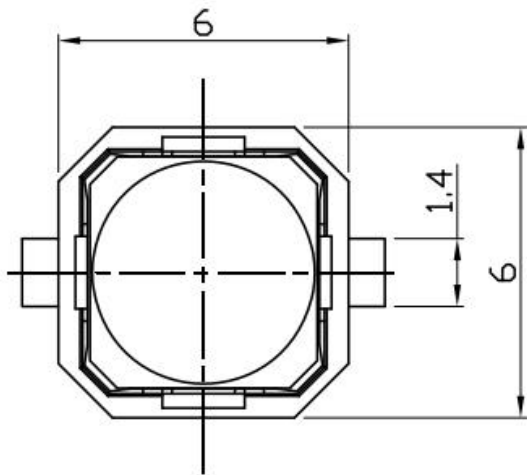
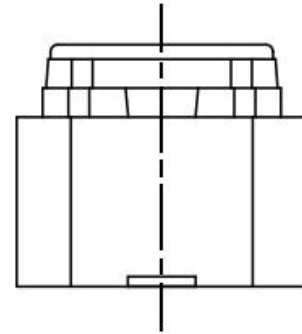
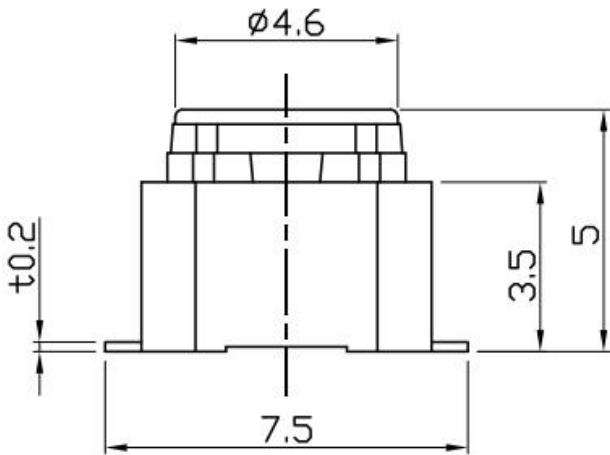
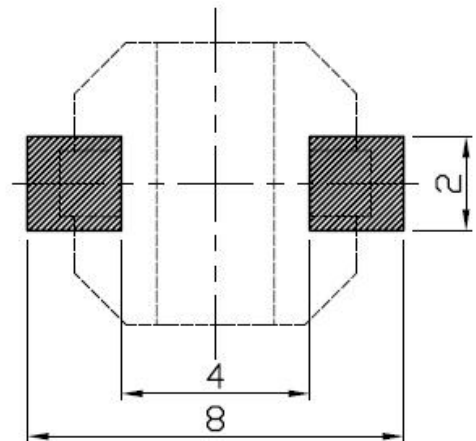


# DIMENSIONS

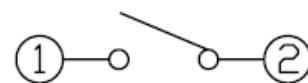


## P.C.B MOUNTING PATTERN DIMENSION

The following soldering patterns are recommended for reflow soldering



## CIRCUIT DIAGRAM



### NOTES :

- 1.RATING : 0.1A 12V DC
- 2.CONTACT RESISTANCE : 100mΩ MAX
- 3.TRAVEL : 1.3±0.3 mm
- 4.OPERATING FORCE : (R)250±70gf
- 5.OPERATING LIFE : 100,000 CYCLES



銓基電子股份有限公司  
ROKI ELECTRONICS CO., LTD.

PART NAME : TACT SWITCH

PART NO : TS50M-AR-PF

TOLERANCE : ±0.2 mm



SCALE :

UNIT : mm

DESIGN : R03